

IRIS INSTRUMENTS

SWITCH Pro



SWITCH Pro 48

EXTENSION SWITCHING BOX

FOR SYSCAL AND

ELREC UNITS

- Able to drive 24 to 192 electrodes
- Dedicated to extended 2D or 3D arrays

Practical: The electrodes numbering is done automatically from the unit ; two push buttons allow to select the first electrode number to be used, to make it compatible with your SYSCAL unit, and with other SWITCH Pro boxes ; The unit has its own screen allowing to see the electrodes number currently used together with the battery level.

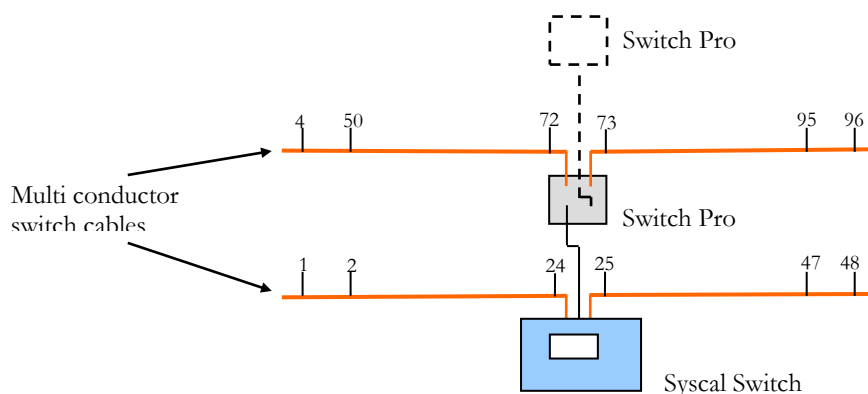
Flexibility: Several SWITCH Pro boxes can be connected together for large 2D or 3D acquisitions (up to 192 electrodes can be switched per SWITCH Pro unit with a maximum of 2000 electrodes for the full system).



SWITCH Pro 192

Designed for the connection of 8 switch cables (24 electrodes each) for 3D arrays, or extended 2D arrays using extension cables

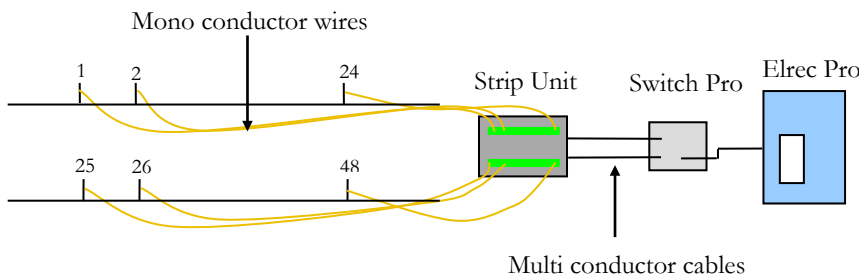
- With a SYSCAL unit dedicated to environmental applications where small spacing between electrodes are used (5 meters for example), some switch cables can be directly connected to the SWITCH Pro box to extend the array ; the following example describes a SYSCAL Switch 48 with a SWITCH Pro 48 box:



SWITCH Pro

- In case of large spacing between electrodes or in case of using an ELREC Pro dedicated to mineral exploration (where spacing of about 20 meters between electrodes is used), some additional termination strip box(es) (Strip Unit) with standard wires can be used to keep a reasonable weight of the full system ; moreover these standard mono conductor wires between strip boxes and metallic stakes, can be easily removed in the field, in case of trouble.

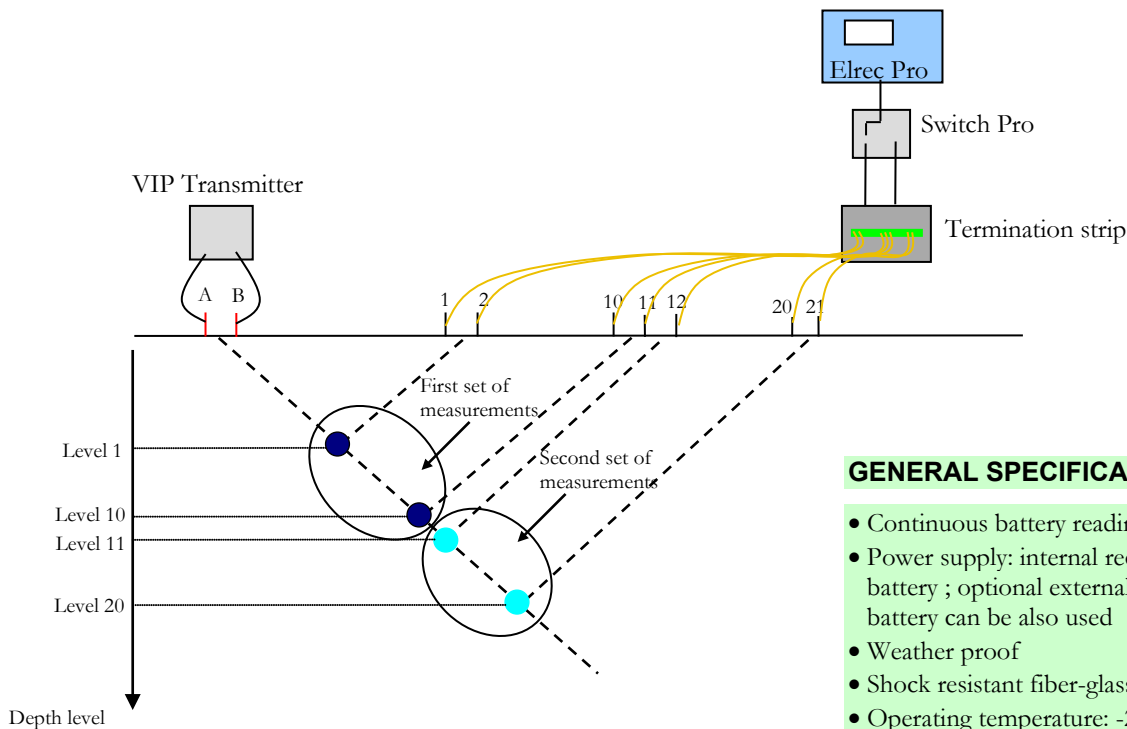
The following example describes an ELREC Pro with a SWITCH Pro 48 box and a termination strip box:



Termination strip box for SWITCH Pro 48

- In case of the operator needs to measure more than 10 depth levels, the use of a SWITCH Pro box is particularly adapted. Indeed, without moving the electrodes, it's possible to switch the electrodes to measure in a first time a set of 10 dipoles and in a second time another set of dipoles and so on... then, the electrodes can be moved to go on the profile.

The following example describes an ELREC Pro with a SWITCH Pro 24 box and a termination strip box:



GENERAL SPECIFICATIONS.

- Continuous battery reading
- Power supply: internal rechargeable 12V, 7.2 Ah battery ; optional external 12V standard car battery can be also used
- Weather proof
- Shock resistant fiber-glass case
- Operating temperature: -20 °C to +70 °C
- Dimensions (SWITCH Pro 48): 31 x 21 x 21 cm
- Weight (SWITCH Pro 48): 3 kg

Specifications subject to change without notice BR_ACC_SPR_GB_V1



IRIS INSTRUMENTS - 1, avenue Buffon - 45100 Orléans - France
 Phone: +33 (0)2 38 63 81 00 - Fax: +33 (0)2 38 63 81 82
 E-mail: sales@iris-instruments.com - Web site: www.iris-instruments.com